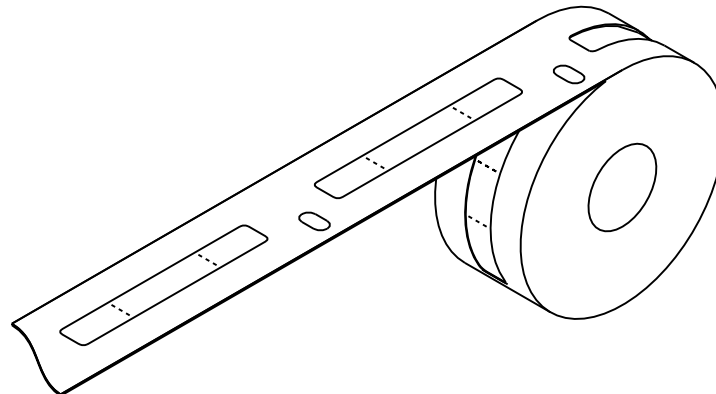
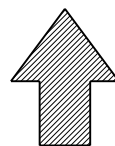
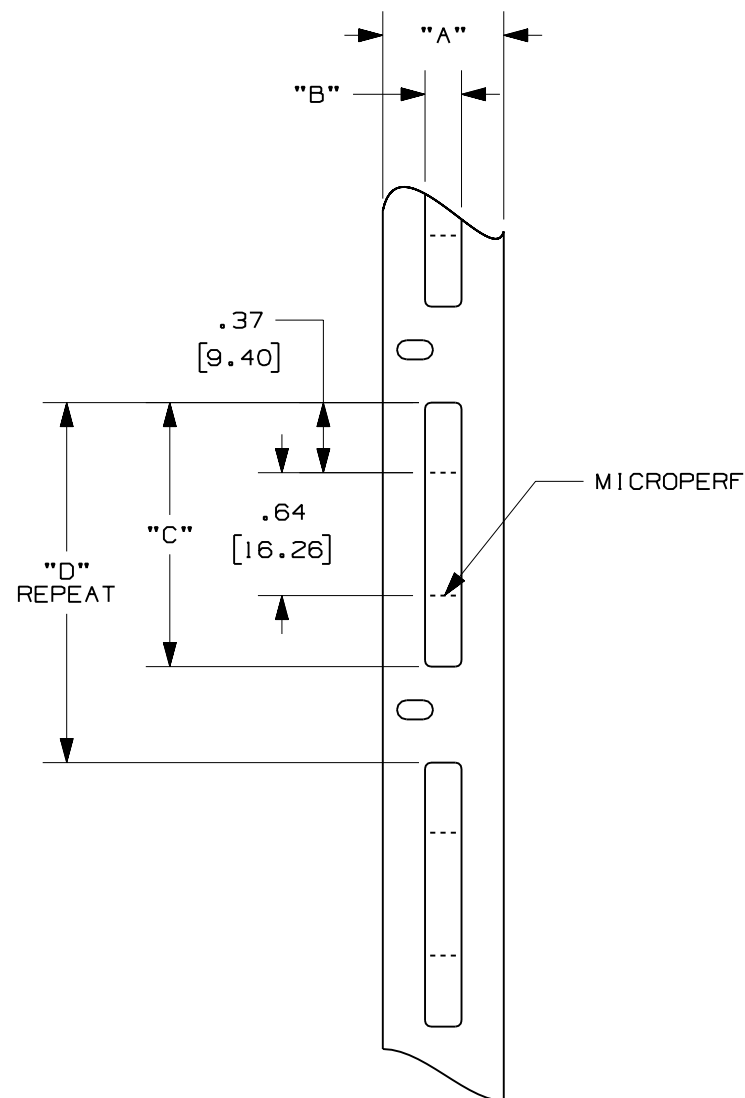


FEED DIRECTION



NOTES:
 1. SEE MFG. DWG. NO. A61349.
 2. DIMENSIONS IN [] ARE IN MILLIMETERS.



PANDUIT PART NO.	"A"	"B"	"C"	"D"	LABELS/ROLL
C138X019FJC	0.63 [1.60]	0.190 [4.826]	1.375 [34.93]	1.625 [41.28]	200

CAD FILENAME/LAYERS: I00472MF_C10418_C138X019FJC_00.prt

REV	DATE	BY	CHK	DESCRIPTION	ECN	R	CUST	SUP
0	5-11-06	RVU		RELEASED TO PRODUCTION.	4503	R		

PANDUIT CORP TINLEY PARK, ILLINOIS
 CUSTOMER DRAWING
 LSB COMPONENT LABELS
 C138X019FJC

UNLESS OTHERWISE SPECIFIED,
 DIMENSIONAL TOLERANCES ARE:
 (.X) ± .030 ANGLES ±
 (.XXX) ± .015

UNLESS OTHERWISE SPECIFIED,
 ALL DIMENSIONS ARE GIVEN IN
 INCHES, THIRD ANGLE PROJECTION

SCALE: NTS

DRAWN BY: RVU
 DATE: 5-11-06
 MAT'L: POLYOLEFIN GMPO

DWG NO.: C10418
 DWG SIZE: B